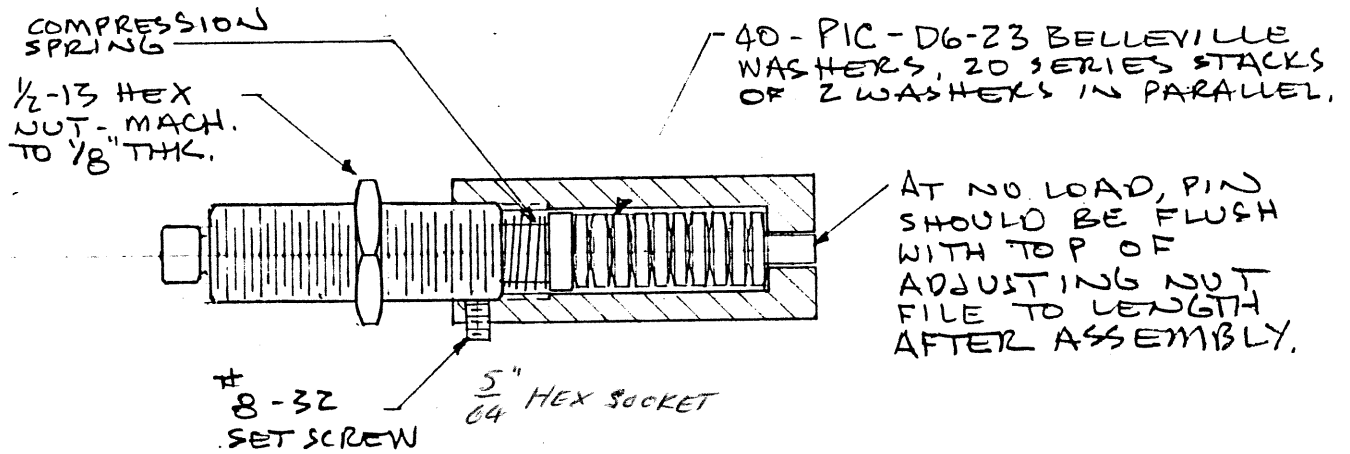


MAKE 1 - STEEL



### SPECIAL HARDPOINT ASSEMBLY

LOAD (AFTER SLACK IS TAKEN OUT) = 20#/0.02"

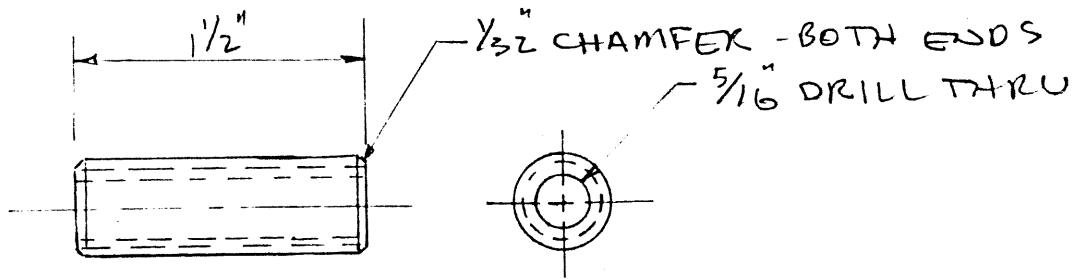
MAX. DEFLECTION 0.20" EST. AT 200#

ONE REVOLUTION OF THE ADJUSTING SCREW WILL BE ABOUT 77#

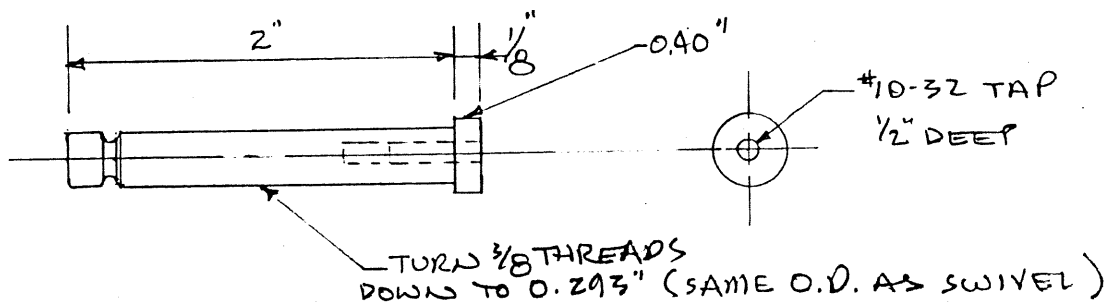
MAXIMUM DEFLECTION WILL BE 2 1/2 REVOLUTIONS.

60" TELESCOPE  
SPECIAL HARDPOINT

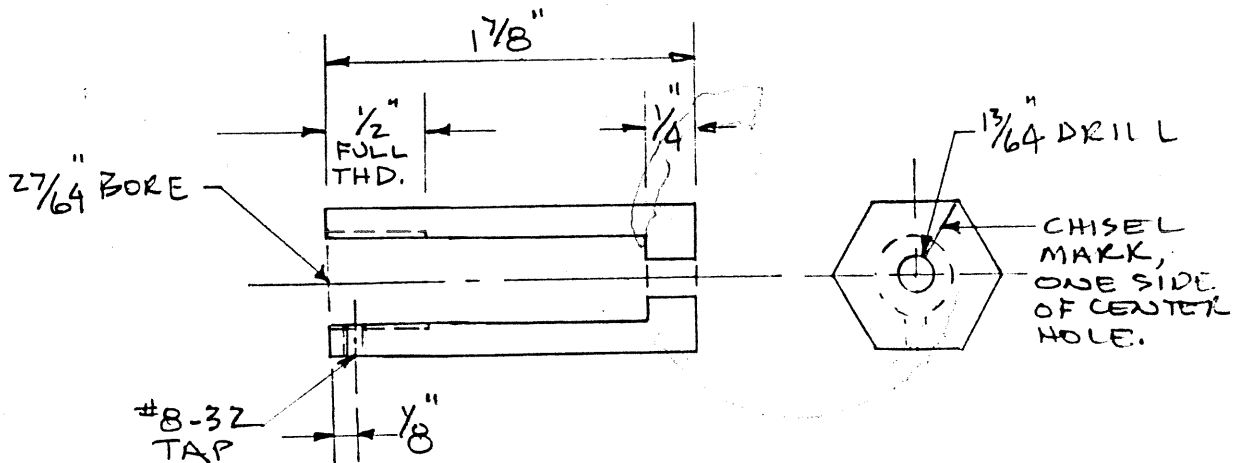
3-25-86  
M. RICE  
SHT 1 OF 2



MAKE 1 FROM  $1\frac{1}{2}$ -13 BOLT OR ALL-THREAD.  
USE PLATED STOCK.



MAKE 1 FROM VLIER PART NO. NSCH-341



MAKE 1 FROM  $\frac{3}{4}$ " HEX STEEL

60" TELESCOPE  
SPECIAL HARD POINT